

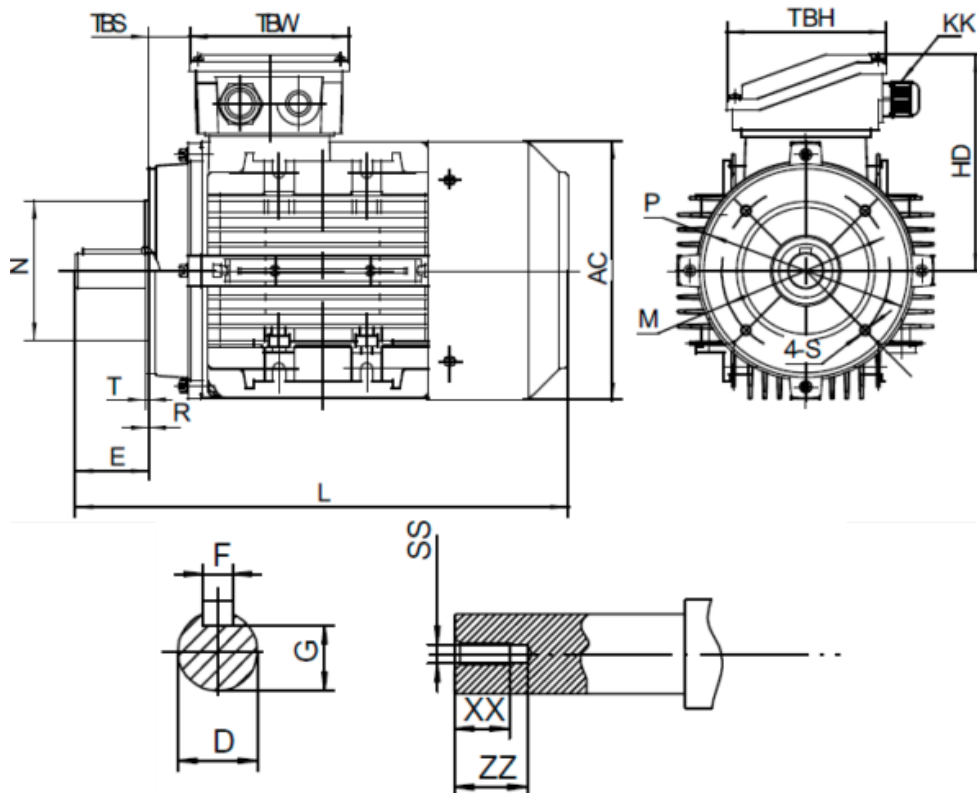
Data Sheet



Article number: 25180150022540

Description: Kleedrive T3A 160M2-2 15.0kw 2800 rpm UL/CSA
3x400/690V 50 HZ IP55 B14 Eff=91,9%

Measures



AA = 314	L = 616/660	TBH = 148
AC = Ø314	M = Ø215	TBS = 64
AD = 391	N = Ø180	TBW = 148
D = Ø42	P = Ø250	XX = 36
E = 110	R = 0	ZZ = 45
F = 12	S = M12	
G = 37	SS = M16	
HD = 231	T = 4	